

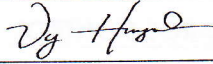



PRELIMINARY PRODUCT INFORMATION

(All information in this technical data sheet is
subject to change without notice.)

Updated: 6/8/2010

10.4" XGA High Bright TFT-LCD

LVM104X01-L02 (PRELIMINARY)

PRODUCT ENGINEERING DEPT. Vertex LCD Inc.			
	Name	Signature	Date
PREPARED BY	Vy Huynh		6/8/2010
REVIEWED BY	Eric Kim		6/8/2010
REVIEWED BY	Brian Yi		6/8/2010
REVIEWED BY	Eunice Lee		6/8/2010

CONTENTS

NO.	ITEM	Page
-	COVER	1
-	CONTENTS	2
-	REVISION HISTORY	3
1	GENERAL DESCRIPTION	4
2	ABSOLUTE MAXIMUM RATINGS	4
3	ELECTRICAL CHARACTERISTICS	5
4	POWER ON/OFF SEQUENCE	6
5	INTERFACE CONNECTION	7
5D	RECOMMENDED LVDS TRANSMITTER	8, 9
6	SIGNAL TIMING SPECIFICATIONS	10
7	TIMING WAVE FORM	11
8	COLOR INPUT DATA REFERENCE	12
9	BLOCK DIAGRAM	13
10	OPTICAL SPECIFICATIONS	14
11	NVIS(NIGHT VISION IMAGING SYSTEM) SPECIFICATION	15
12	MECHANICAL CHARACTERISTICS	15
13	MECHANICAL SPECIFICATIONS	16, 17
14	RELIABILITY	18
15	PACKING FORM	18
16	PRECAUTIONS	18
16-1	MOUNTING PRECAUTION	18, 19
16-2	OPERATING PRECAUTION	19
16-3	ELECTROSTATIC DISCHARGE CONTROL	19
16-4	STORAGE	19
16-5	HANDLING PRECAUTION FOR PROTECTION FILM	19, 20
A	OPTICAL CHARACTERISTIC MEASUREMENT EQUIPMENT AND METHOD	20
B	LUMINANCE	20
C	RESPONSE TIME	21
D	VIEWING ANGLE	21

1. General Description

LVM104X01-L02 is 10.4" Color Active Matrix Liquid Crystal Display with LED backlight system. The matrix employs amorphous silicon Thin Film Transistor as the active element. It is a transmissive type display operating in the normally black mode. This TFT-LCD has a 10.4 inch diagonally measured active display area with XGA resolution (1024 horizontal by 768 vertical pixel array). Each pixel is divided into Red, Green and Blue sub-pixels or dots which are arranged in vertical stripes. Gray scale or the brightness of the sub-pixel color is determined with a 6-bit gray scale signal for each dot, thus presenting a palette of more than 262,144 colors.

The LVM104X01-L02 is intended to support applications where high brightness is a critical factor. In combination with the vertical arrangement of the sub-pixels, the LVM104X01-L02 characteristics provide an excellent flat panel display for office or industrial automation products or daylight applications.

General Specification

General specifications are summarized in the following table:

ITEM	SPECIFICATION
Active screen size	10.4 inches(26cm) diagonal 210.432(H) X 157.824(V) mm
Outline dimensions	237.8(H) × 178.3(V) × 10.0(D) mm
Pixel pitch	0.2055(H) mm × 0.2055(V) mm
Pixel format	1024(H) X 768(V) pixels
Color Pixel Arrangement	RGB stripe arrangement
Color depth	6-bit, 262,144 colors
Brightness	700 cd/m ² Typ.
Power Consumption (LCD & Backlight only)	Total 5.7 Watt,typ (0.7Watt @Vcc, 5.0 Watt @Lamp)
Display operating mode	transmissive mode, normally Black
Surface treatments	Haze 25, Anti-glare & hard-coating(3H)
Backlight Unit	White LED

2. Absolute Maximum Rating

Parameter	symbol	Values		Units	Notes
		Min.	Max.		
Power Input Voltage	V _{CC}	-0.3	+4.0	Vdc	at 25°C
Operating Temperature	T _{OP}	-20	+70	°C	1
Storage Temperature	T _{ST}	-20	+80	°C	1

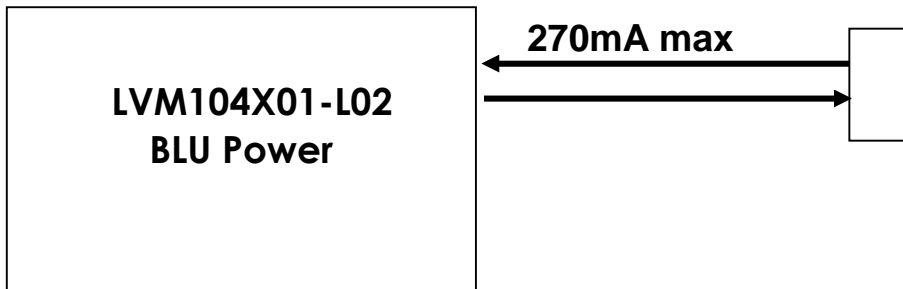
Note: Humidity ≤ 80% RH. No condensation.

3. Electrical Characteristics

The LVM104X01-L02 requires three power inputs. One is employed to power the LCD electronics and to drive the TFT array and liquid crystal. The second input which powers the LED backlight (Day mode), is typically generated by LED driver board. The LED driver board is an external unit to the LCD.

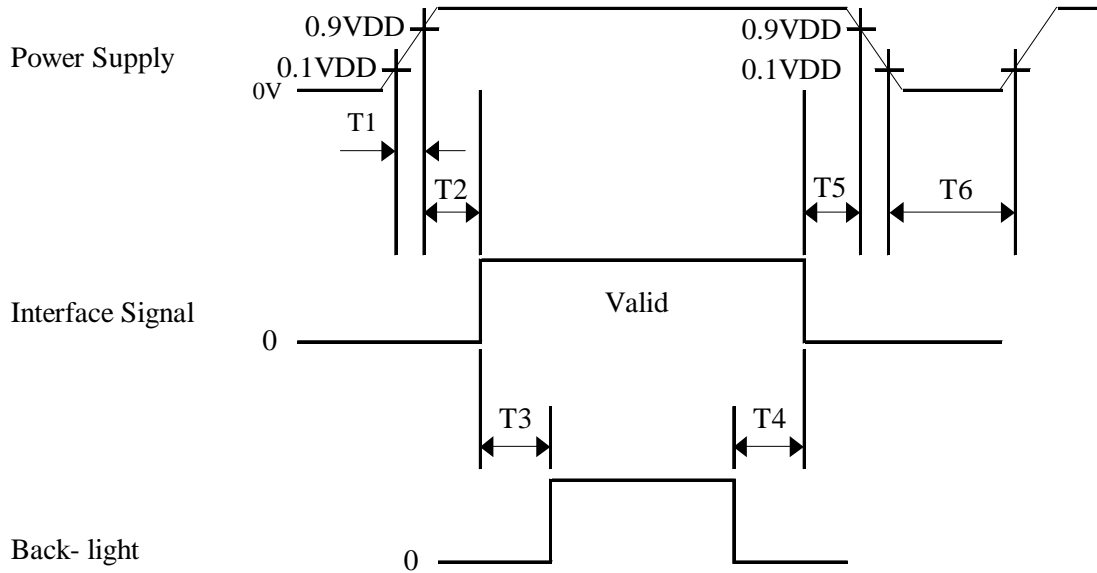
Parameter	Symbol	Condition	Values			Units	Notes
			Min.	Typ.	Max.		
MODULE: Power Supply Input Voltage	V _{CC}		3.0	3.3	3.6	Vdc	V _{CC} = 3.3 V
Power Supply Input Current	I _{CC}		-	0.210	-	A	1,2
Power Consumption	P _c		-	0.7	-	Watts	1,2
LED Backlight:							
Operating Voltage	V _{BL}	(I _{BL} = 0.27A)	17.5	18.5	19.5	Vdc	4
Power Consumption	P _{BL}			5.0		Watts	4
Life Time				30,000		Hrs	3

- Notes: 1. The current draw and power consumption specified is for 3.3 Vdc at 25°C and fv at 60Hz.(at Black pattern displayed)
 2. Logic level are specified for V_{CC} of 3.3 Vdc at 25°C. The values specified apply to all logic inputs; Hsync, Vsync, Clock, data signals, etc.
 3. The life time is determined as the time at which brightness of lamp is 50% compare to that of initial value at the typical LED voltage 18.5V (condition : current 0.27A) & at ambient temperature of 25°C.
 4. LVM104X01-L02 load voltage should be about 18.5V at 270mA max current per top sides.



4. Power On/Off Sequences

To prevent a latch-up or DC operation of the LCD module, the power on/off sequence should be as shown below.



- $0 < T1 \leq 10 \text{ ms}$
- $0 < T2 \leq 50 \text{ ms}$
- $100 \text{ ms} \leq T3, T4$
- $0 < T5 \leq 50 \text{ ms}$
- $1 \text{ sec} < T6$

- Note:
1. Please avoid floating state of interface signal at invalid period.
 2. When the interface signal is invalid, be sure to pull down the power supply for LCD Vcc to 0 Vcd.
 3. Lamp power must be turn on after power supply for LCD and interface signal is valid.

5. Interface Connections

CN 1 (interface signal): LVM104X01-L02 uses 14 pin connector for module electronics.

Used connector: DF19L-14P-1H (HIROSE Electric Co. LTD) Matching side: DF19G-14S-1C (HIROSE)

Pin	Symbol	Description
1	V _{DD}	Power supply +3.3V
2	V _{DD}	Power supply +3.3V
3	V _{SS}	Ground
4	V _{SS}	Ground
5	RIN0-	Transmission Data of Pixel 0 (-)
6	RIN0+	Transmission Data of Pixel 0 (+)
7	RIN1-	Transmission Data of Pixel 1 (-)
8	RIN1+	Transmission Data of Pixel 1 (+)
9	RIN2-	Transmission Data of Pixel 2 (-)
10	RIN2+	Transmission Data of Pixel 2 (+)
11	RCLK IN-	Sampling Clock (-)
12	RCLK IN+	Sampling Clock (+)
13	V _{SS}	Ground
14	V _{SS}	Ground

CN 2 (backlight): LVM104X01-L02 employs Molex 51004-0200 or equivalent connectors for the LED backlight.

Pin	Symbol	Description	Color
1	V	Lamp power input	Pink or Red
2	Ground	Ground	White

5.1. Recommended Transmitter to LVM104X01-L02

6 Bit Transmitter (THC63LVDM63A) by Thine

THC63LVDM63A				LVM104X01-L02 Interface (CN1)		
Input Terminal No.		Input Signal (Graphic controller output signal)		Output Signal Symbol	Terminal	Symbol
Symbol	THC63LVDM63A	Symbol	Function			
TIN0	44	R0	Red Pixels Display Data (LSB)	OUT0 - OUT0+	No. 5 No. 6	IN0 - IN0 +
TIN1	45	R1	Red Pixels Display Data			
TIN2	47	R2	Red Pixels Display Data			
TIN3	48	R3	Red Pixels Display Data			
TIN4	1	R4	Red Pixels Display Data			
TIN5	3	R5	Red Pixels Display Data (MSB)	OUT1 - OUT1 +	No. 7 No. 8	IN1 - IN1 +
TIN6	4	G0	Green Pixels Display Data (LSB)			
TIN7	6	G1	Green Pixels Display Data			
TIN8	7	G2	Green Pixels Display Data			
TIN9	9	G3	Green Pixels Display Data			
TIN10	10	G4	Green Pixels Display Data (MSB)	OUT2 - OUT2 +	No. 9 No. 10	IN2 - IN2 +
TIN11	12	G5	Green Pixels Display Data (MSB)			
TIN12	13	B0	Blue Pixels Display Data (LSB)			
TIN13	15	B1	Blue Pixels Display Data			
TIN14	16	B2	Blue Pixels Display Data			
TIN15	18	B3	Blue Pixels Display Data	CLK OUT - CLK OUT +	No. 11 No. 12	CLK IN - CLK IN +
TIN16	19	B4	Blue Pixels Display Data			
TIN17	20	B5	Blue Pixels Display Data (MSB)			
TIN18	22	Hsync	Horizontal Synchronization Signal			
TIN19	23	Vsync	Vertical Synchronization Signal			
TIN20	25	DE	Compound Synchronization Signal			
CLK IN	26	NCLK	Data Sampling Clock			

8 Bit Transmitter (THC63LVDM83A) by Thine

THC63LVDM83A				LVM104X01-L02 Interface (CN1)		
Input Terminal No.		Input Signal (Graphic controller output signal)		Output Signal Symbol		
Symbol	THC63LVDM83	Symbol	Function		Terminal	Symbol
TIN0	51	R0	Red Pixels Display Data (LSB)	OUT0 – OUT0 +	No. 5 No. 6	IN0 – IN0 +
TIN1	52	R1	Red Pixels Display Data			
TIN2	54	R2	Red Pixels Display Data			
TIN3	55	R3	Red Pixels Display Data			
TIN4	56	R4	Red Pixels Display Data			
TIN6	3	R5	Red Pixels Display Data (MSB)	OUT1 – OUT1 +	No. 7 No. 8	IN1 – IN1 +
TIN7	4	G0	Green Pixels Display Data (LSB)			
TIN8	6	G1	Green Pixels Display Data			
TIN9	7	G2	Green Pixels Display Data			
TIN12	11	G3	Green Pixels Display Data			
TIN13	12	G4	Green Pixels Display Data			
TIN14	14	G5	Green Pixels Display Data (MSB)			
TIN15	15	B0	Blue Pixels Display Data (LSB)			
TIN18	19	B1	Blue Pixels Display Data			
TIN19	20	B2	Blue Pixels Display Data			
TIN20	22	B3	Blue Pixels Display Data			
TIN21	23	B4	Blue Pixels Display Data			
TIN22	24	B5	Blue Pixels Display Data (MSB)			
TIN24	27	Hsync	Horizontal Synchronization Signal			
TIN25	28	Vsync	Vertical Synchronization Signal	OUT3 – OUT3 +		
TIN26	30	DE	Compound Synchronization Signal			
TIN27	50	NC	Non Connection (open)			
TIN5	2	NC	Non Connection (open)			
TIN10	8	NC	Non Connection (open)			
TIN11	10	NC	Non Connection (open)			
TIN16	16	NC	Non Connection (open)	CLK OUT – CLK OUT +	No. 11 No. 12	CLK IN – CLK IN +
TIN17	18	NC	Non Connection (open)			
TIN23	25	NC	Non Connection (open)			
CLK IN	31	NCLK	Data Sampling Clock			

6. Signal Timing Specification

The 10.4XGA LCM is only operated by the DE mode

Item	Symbols	Min	Typ	Max	Units
Clock	Frequency	1/Tc	-	65	MHz
	High Time	Tch	4.5	-	Ns
	Low Time	Tcl	4.5	-	Ns
Data	Setup Time	Tds	2.7	-	Ns
	Hold Time	Tdh	0	-	Ns
Data Enable Setup Time	Tes	2.7	-	-	Ns
Frame Period	Tv	772	806	1022	Lines
Vertical Display Period	Tvd	768	768	768	Lines
One Line Scanning Period	Th	1100	1344	2046	Clocks
Horizontal Display Period	Thd	1024	1024	1024	Clocks

Note 1) Refer to TIMING CHART and LVDS (THC63LVDF64A) specifications by Thine Electronics Inc.

Note 2) If NCLK is fixed to "H" or "L" level for certain period, the panel may be damaged.

Note 3) Please adjust LCD operating signal timing and FL driving frequency, to optimize the display quality.

note 4) Do not hold NCLK on "H" level nor "L" level during VDD (+3.3V) is supplied. When it holds on, DC voltage supplies to liquid crystal materials and it may cause damage to liquid crystal materials.

note 5) Do not make tv, tvhd and tvds fluctuate.

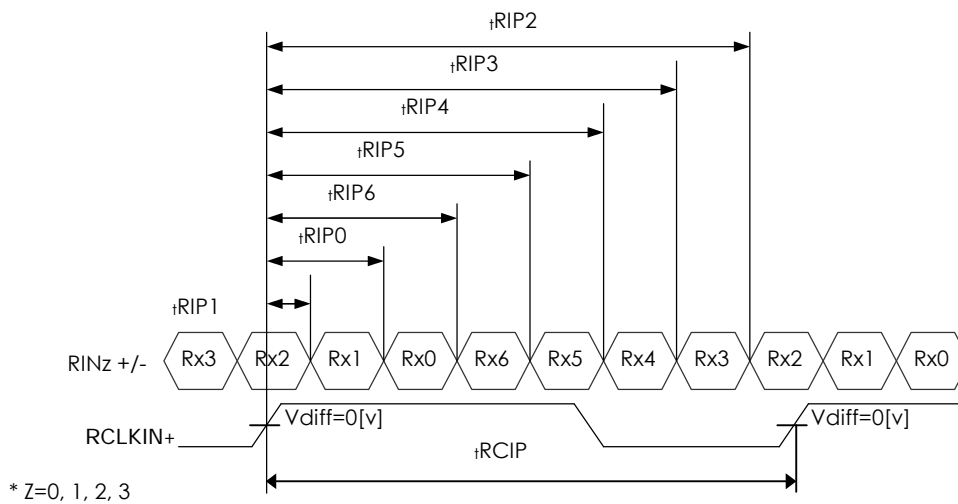
If tv, tvhd and tvds are fluctuated, then panel displays black.

note 6) NCLK count of each Horizontal Scanning Time should be always the same.

V-Blanking period should be "n" X "Horizontal Scanning Time". (n: integer)

-LVDS Rx interface timing parameter

Item	Symbol	Min	Typ.	Max	Unit	Remark
CLKIN Period	t _{RClP}	12.5	15.38	-	nsec	
Input data 0	t _{RIP1}	-0.4	0.0	+0.4	nsec	
Input data 1	t _{RIP0}	1 * t _{RIPC} /7-0.4	1 * t _{RIPC} /7	1 * t _{RIPC} /7+0.4	nsec	
Input data 2	t _{RIP6}	2 * t _{RIPC} /7-0.4	2 * t _{RIPC} /7	2 * t _{RIPC} /7+0.4	nsec	
Input data 3	t _{RIP5}	3 * t _{RIPC} /7-0.4	3 * t _{RIPC} /7	3 * t _{RIPC} /7+0.4	nsec	
Input data 4	t _{RIP4}	4 * t _{RIPC} /7-0.4	4 * t _{RIPC} /7	4 * t _{RIPC} /7+0.4	nsec	
Input data 5	t _{RIP3}	5 * t _{RIPC} /7-0.4	5 * t _{RIPC} /7	5 * t _{RIPC} /7+0.4	nsec	
Input data 6	t _{RIP2}	6 * t _{RIPC} /7-0.4	6 * t _{RIPC} /7	6 * t _{RIPC} /7+0.4	nsec	

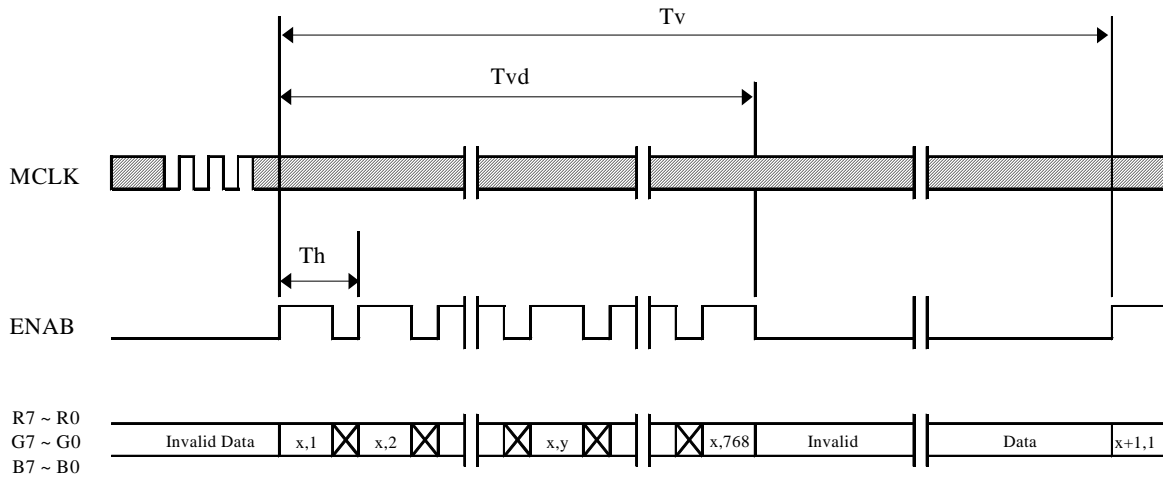


* Z=0, 1, 2, 3

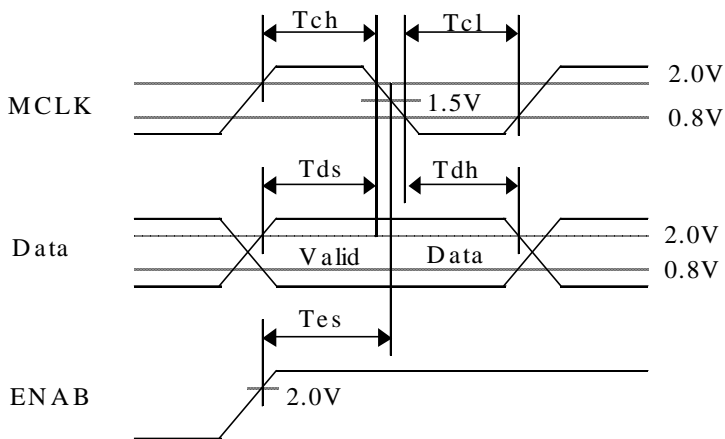
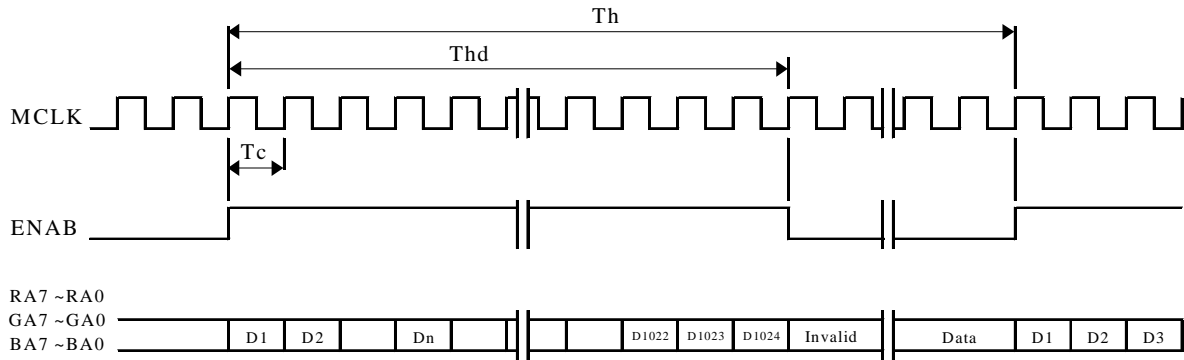
$$* V_{diff} = (RINz+) - (RINz-), (RCLKIN+) - (RCLKIN-)$$

7. Timing Wave Form (DE Mode)

Vertical Timing Waveforms



Horizontal Timing Waveforms

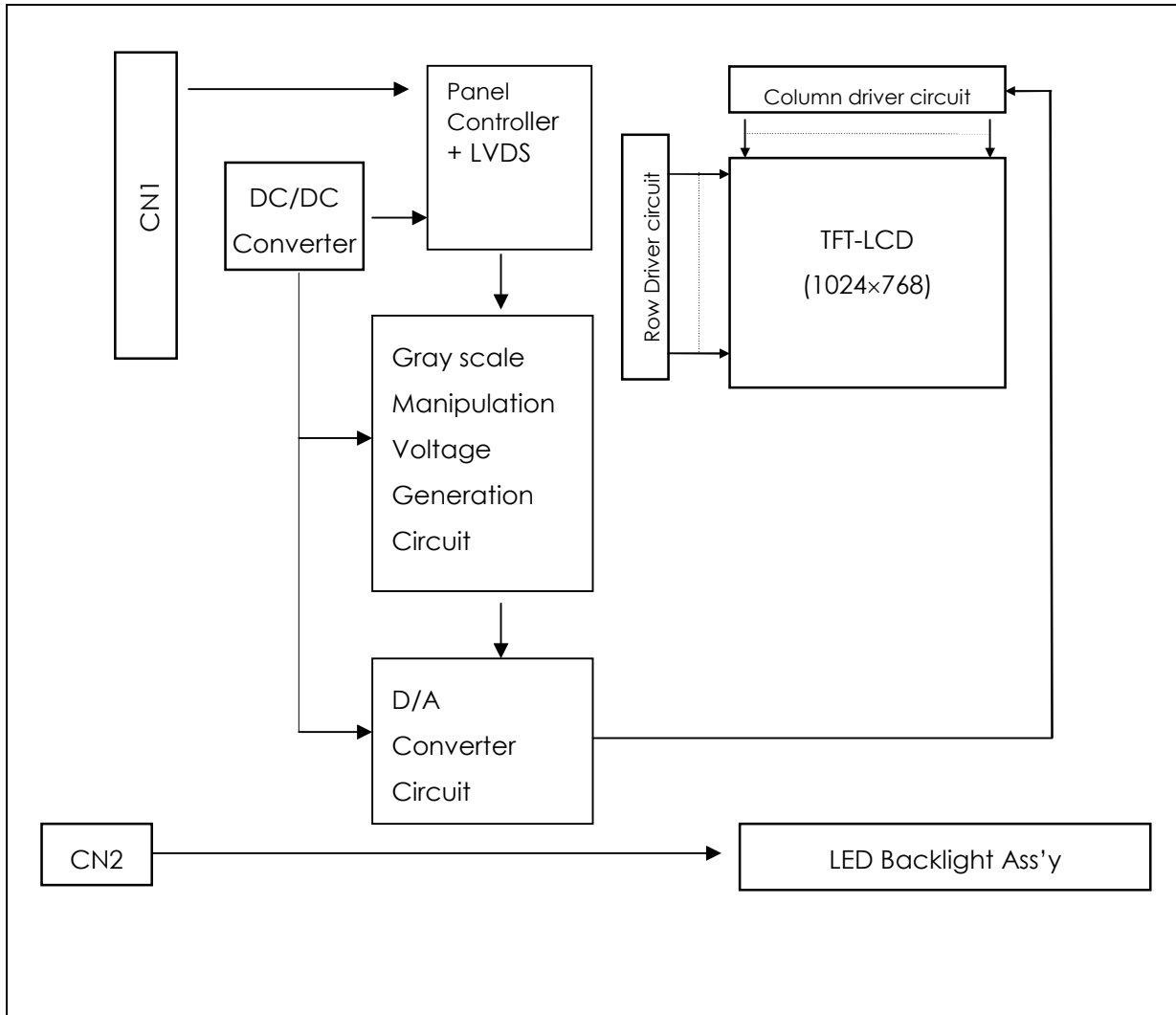


8. Color Input Data Reference

The brightness of each primary color (red, green and blue) is based on the 6-bit gray scale data input for the color; the higher the binary input, the brighter the color. The table below provides a reference for color versus data input.

	Display	R5	R4	R3	R2	R1	R0	G5	G4	G3	G2	G1	G0	B5	B4	B3	B2	B1	B0
Basic Colors	Black	0	0	0	0	0	0	0	0	0	0	0	0	0	0	0	0	0	0
	Blue	0	0	0	0	0	0	0	0	0	0	0	0	1	1	1	1	1	1
	Green	0	0	0	0	0	0	1	1	1	1	1	1	0	0	0	0	0	0
	Light Blue	0	0	0	0	0	0	1	1	1	1	1	1	1	1	1	1	1	1
	Red	1	1	1	1	1	1	0	0	0	0	0	0	0	0	0	0	0	0
	Purple	1	1	1	1	1	1	0	0	0	0	0	0	0	1	1	1	1	1
	Yellow	1	1	1	1	1	1	1	1	1	1	1	1	0	0	0	0	0	0
	White	1	1	1	1	1	1	1	1	1	1	1	1	1	1	1	1	1	1
Red	Red(00) Dark	0	0	0	0	0	0	0	0	0	0	0	0	0	0	0	0	0	0
	Red(01)	0	0	0	0	0	1	0	0	0	0	0	0	0	0	0	0	0	0
	Red(02)	0	0	0	0	1	0	0	0	0	0	0	0	0	0	0	0	0	0
	:	:	:	:	:	:	:	:	:	:	:	:	:	:	:	:	:	:	:
	Red(61)	1	1	1	1	0	1	0	0	0	0	0	0	0	0	0	0	0	0
	Red(62)	1	1	1	1	1	0	0	0	0	0	0	0	0	0	0	0	0	0
	Red(63) Bright	1	1	1	1	1	1	0	0	0	0	0	0	0	0	0	0	0	0
Green	Green(00)Dark	0	0	0	0	0	0	0	0	0	0	0	0	0	0	0	0	0	0
	Green(01)	0	0	0	0	0	0	0	0	0	0	0	1	0	0	0	0	0	0
	Green(02)	0	0	0	0	0	0	0	0	0	0	1	0	0	0	0	0	0	0
	:	:	:	:	:	:	:	:	:	:	:	:	:	:	:	:	:	:	:
	Green(61)	0	0	0	0	0	0	1	1	1	1	0	1	0	0	0	0	0	0
	Green(62)	0	0	0	0	0	0	1	1	1	1	1	0	0	0	0	0	0	0
	Green(63)Bright	0	0	0	0	0	0	1	1	1	1	1	1	0	0	0	0	0	0
Blue	Blue(00) Dark	0	0	0	0	0	0	0	0	0	0	0	0	0	0	0	0	0	0
	Blue(01)	0	0	0	0	0	0	0	0	0	0	0	0	0	0	0	0	0	1
	Blue(02)	0	0	0	0	0	0	0	0	0	0	0	0	0	0	0	0	1	0
	:	:	:	:	:	:	:	:	:	:	:	:	:	:	:	:	:	:	:
	Blue(61)	0	0	0	0	0	0	0	0	0	0	0	0	1	1	1	1	0	1
	Blue(62)	0	0	0	0	0	0	0	0	0	0	0	0	1	1	1	1	1	0
	Blue(63) Bright	0	0	0	0	0	0	0	0	0	0	0	0	1	1	1	1	1	1
White & Black	Black(00) Dark	0	0	0	0	0	0	0	0	0	0	0	0	0	0	0	0	0	0
	(01)	0	0	0	0	0	1	0	0	0	0	0	1	0	0	0	0	0	1
	(02)	0	0	0	0	1	0	0	0	0	0	1	0	0	0	0	0	1	0
	:	:	:	:	:	:	:	:	:	:	:	:	:	:	:	:	:	:	:
	(61)	1	1	1	1	0	1	1	1	1	1	0	1	1	1	1	1	0	1
	(62)	1	1	1	1	1	0	1	1	1	1	1	0	1	1	1	1	1	0
	White(63) Bright	1	1	1	1	1	1	1	1	1	1	1	1	1	1	1	1	1	1

9. Block Diagram



10. Optical Specifications

Optical characteristics are determined after the unit has been 'ON' and stable for approximately 30 minutes in a dark environment at 25°C. The values specified are at an approximate distance 50cm from the LCD surface at a viewing angle of Φ and θ equal to 0°.

Appendix A presents additional information concerning the measurement equipment and method.

Parameter	Symbol	Values			Units	Notes
		Min.	Typ.	Max.		
<u>Day Mode</u>						
Contrast Ratio	CR		450			1
Surface Luminance, white	L _{WH}	600	700		cd/m ²	2
Luminance Uniformity	δ WHITE	70%	75%			3
Response Time						
Total (Tr + Td)			40		msec	4
CIE Color Coordinates						
Red	X _R		.564			
	Y _R		.381			
Green	X _G		.350			
	Y _G		.567			
Blue	X _B		.148			
	Y _B		.145			
White	X _W		.330			
	Y _W		.380			
Viewing Angle						
x axis, right ($\theta=0^\circ$)	θ x		80	-	degree	5
x axis, left ($\theta=180^\circ$)	θ x		80	-		
y axis, up ($\theta=90^\circ$)	θ y		80	-		
y axis, down ($\theta=270^\circ$)	θ y		80	-		

Notes 1. Contrast Ratio (CR) is defined mathematically as :

$$\text{Contrast Ratio} = \frac{\text{Surface Luminance with all white pixels}}{\text{Surface Luminance with all black pixels}}$$

- Surface luminance is the center point across the LCD surface 50cm from the surface with all pixels displaying white. For more information see Appendix B.
- The uniformity in surface Luminance, δ WHITE is determined by measuring L_{ON} at each test position 1 through 9, and then dividing the minimum L_{ON} of 9 points luminance by maximum L_{ON} of 9 points luminance and multiply by 100 for percentage value. For more information see Appendix B.
 δ WHITE = Minimum (L_{ON1}, L_{ON2}, ..., L_{ON9}) * 100 / Maximum (L_{ON1}, L_{ON2}, ..., L_{ON9})
- Response time is the time required for the display to transition from white to black (Rise Time, Tr_R) and from black to white (Decay Time, Tr_D). For additional information see Appendix C.
- Viewing angle is the angle at which the contrast ratio is greater than 10. The angles are determined for the horizontal or x-axis and the vertical or y-axis with respect to the z-axis which is normal to the LCD surface. For more information see Appendix D.

11. Mechanical Characteristics

The chart below provides general mechanical characteristics for the model LVM104X01-L02. In addition, the figure below is a detailed mechanical drawing of the LCD. Note that dimensions are given for reference purposes only.

Outside dimensions:

Horizontal	237.80 ± 0.5 mm
Vertical	178.30 ± 0.5 mm
Depth	10.00 ± 0.5 mm

Bezel area:

Horizontal	216.60 mm
Vertical	162.40 mm

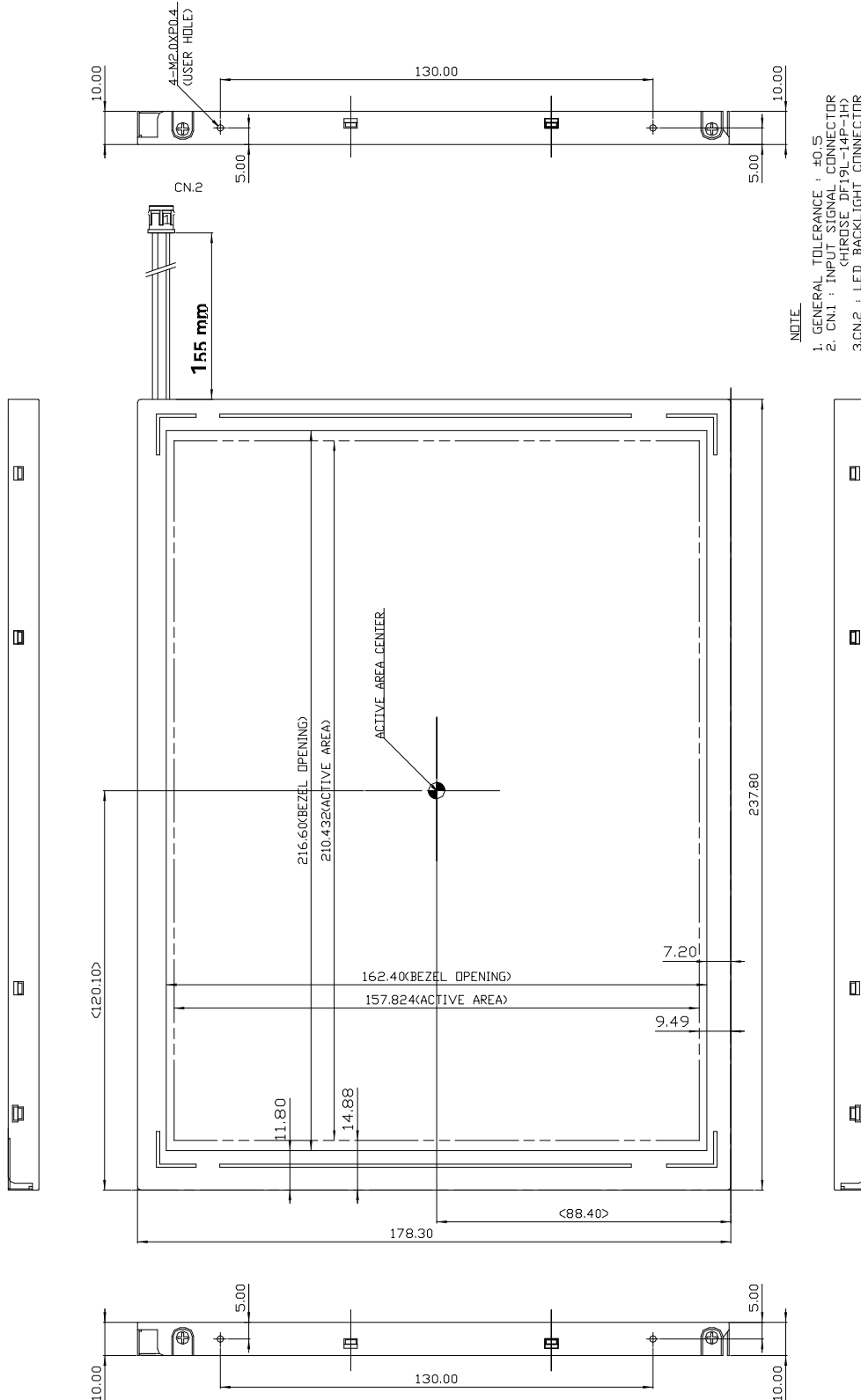
Active Display area:

Horizontal	210.432 mm
Vertical	157.824 mm

Weight (approximate): 500 g

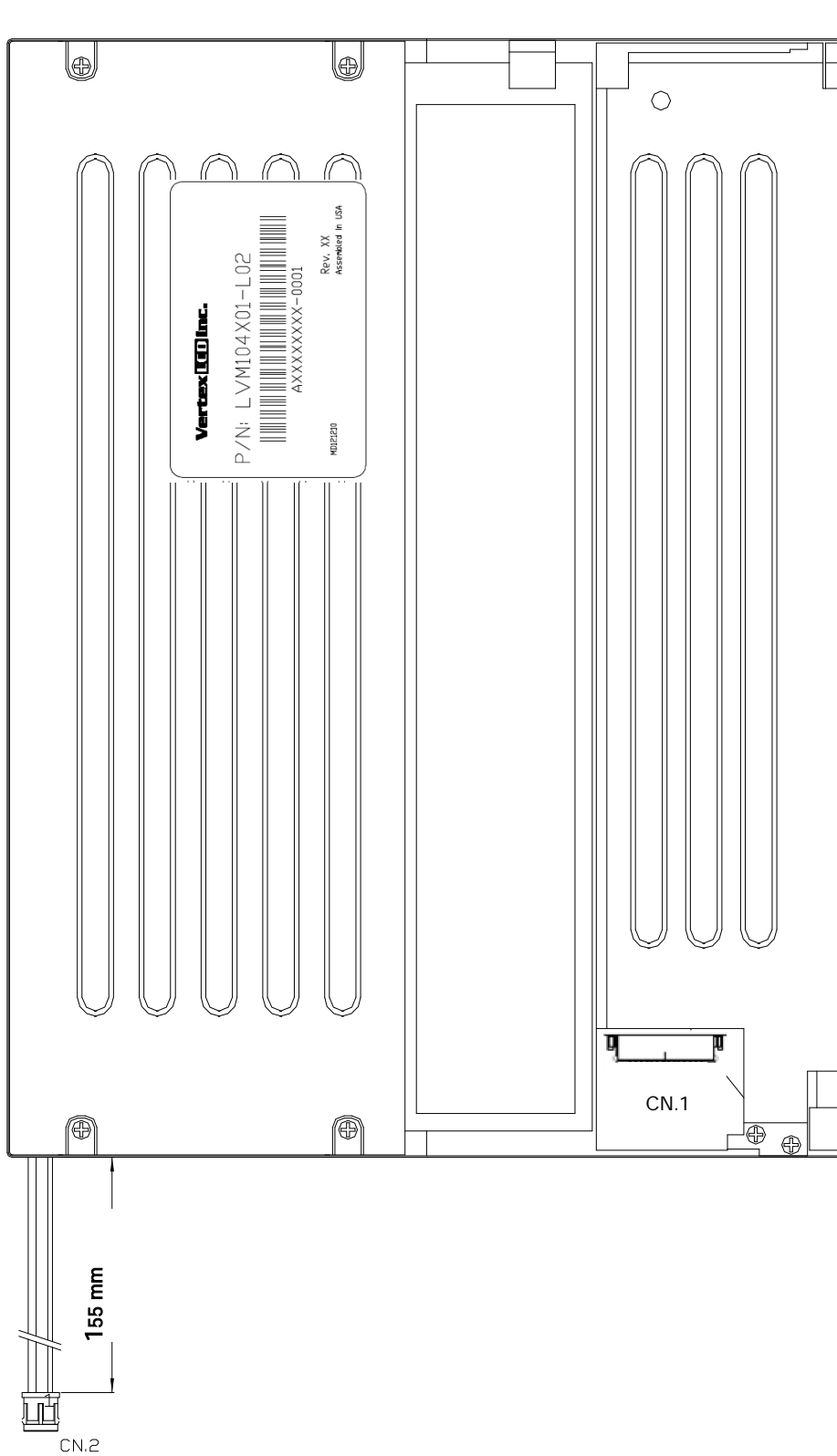
Surface treatment: Anti-glare treatment of the front polarizer.

13. Mechanical Specification
< FRONT VIEW >



- NOTE**
1. GENERAL TOLERANCE : ±0.5
 2. CN1 : INPUT SIGNAL CONNECTOR
(HIROSE DF19L-14P-1H)
 3. CN2 : LED BACKLIGHT CONNECTOR
(MOLEX 51004-0200)

<Rear View>



14. Reliability

- Environment test condition on backlight only.

No.	Test ITEM	Conditions
1	High temperature storage test	Ta = 80 °C, 72hr
2	Low temperature storage test	Ta = -20°C, 72hr
3	High temperature & high humidity operation test	Ta = 50 °C, 80%RH 72hrs (no condensation)
4	High temperature operation test	Ta = 70°C, 72h
5	Low temperature operation test	Ta = -20°C, 72h
6	Thermal Shock(non-operating)	Ta = -20°C(2 Hour) ~ 80°C (2 Hour), 6cycles
7	Shock test (non-operating)	Gravity : 120G Pulse width: 2ms, half sine wave for X, Y, Z once each direction
8	Vibration test (non-operating)	Frequency 10 ~ 300 ~10 Hz Gravity/AMP: 1.5G Period: X, Y, Z 30 min. , 1Cycle

Result Evaluation Criteria

There should be no change which might affect the practical display function when the display quality test is conducted under normal operating condition.

- ON/OFF Cycle
: The display module will be capable of being operated over 24,000 ON/OFF cycles (Lamp power & Vcc ON/OFF)
- Mean Time between Failure
: The LCD Panel and interface board assembly (excluding the Backlight) shall have a mean time between failures of 35,000 hours with a confidence level 90%.

15. Packing Form

- a) Package quantity in one box : 8
- b) Box Size : TBD

16. PRECAUTIONS

Please pay attention to the followings when you use this TFT/LCD module.

16.1 MOUNTING PRECAUTIONS

- (1) You must mount a module using holes arranged in four corners.
- (2) You should consider the mounting structure so that uneven force (ex. twisted stress) is not applied to the module.
And the case on which a module is mounted should have sufficient strength so that external force is not transmitted directly to the module.
- (3) Please attach the surface with a transparent protective plate in order to protect the polarizer LC cell.
Transparent protective plate should have sufficient strength in order to resist external force.
- (4) You should adopt radiation structure to satisfy the temperature specification.
- (5) Acetic acid type and chlorine type materials for the cover case are not desirable because the former generates corrosive gas of attacking the polarizer at high temperature and the latter cause circuit break by electro-chemical reaction.
- (6) Do not touch, push or rub the exposed polarizers with glass, tweezers or anything harder than HB pencil lead. And Please do not rub with dust clothes with chemical treatment.
Do not touch the surface of polarizer with bare hand or greasy cloth. (Some cosmetics

are detrimental to the polarizer.)

- (7) When the surface becomes dusty, please wipe gently with absorbent cotton or other soft materials like chamois soaked with petroleum benzene. Normal-hexane is recommended for cleaning the adhesives used to attach front / rear polarizers. Do not use acetone, toluen and alcohol because they cause chemical damage to the polarizer.
- (8) Wipe off saliva or water drops as soon as possible. Their long time contact with polarizer causes deformations and color fading.
- (9) Do not open the case because inside circuits do not have sufficient strength.

16.2 OPERATING PRECAUTIONS

- (1) The spike noise causes the mis-operation of circuits. It should be lower than following voltage : $V = \pm 200\text{mV}$ (Over and under shoot voltage).
- (2) Response time depends on the temperature. (In lower temperature, it becomes longer.)
- (3) Brightness depends on the temperature. (In lower temperature, it becomes lower.)
And in lower temperature, response time (required time that brightness is stable after turned on) becomes longer.
- (4) Be careful for condensation at sudden temperature change. Condensation makes damage to polarizer or electrical contacted parts. And after fading condensation, smear or spot will occur.
- (5) When fixed patterns are displayed for a long time, remnant image is likely to occur.
- (6) A module has high frequency circuit. It might be necessary to shield the electromagnetic noise in your integrating system.
- (7) When a Backlight unit is operating, it may make sounds. It might be necessary to shield your integrating system to cut down the noise.

16.3 ELECTROSTATIC DISCHARGE CONTROL

Since a module is composed of electronic circuits, it is not strong to electrostatic discharge. Make certain that treatment persons are connected to ground through wristband etc . . And don't touch I/F pin directly.

16.4 STORAGE

When storing modules for a long time, the following precautions should be followed.

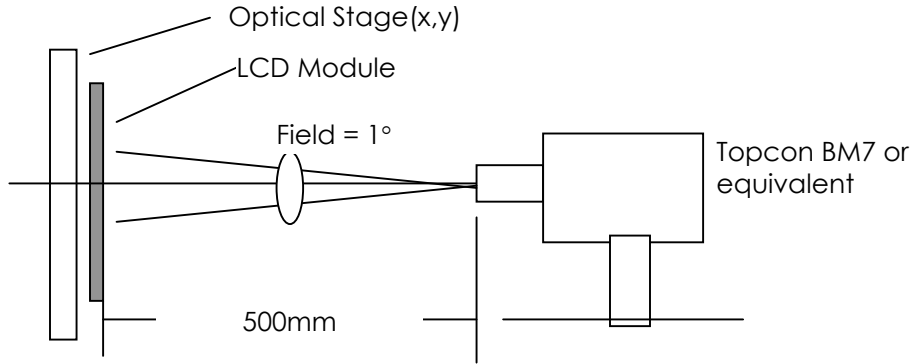
- (1) Store them in a dark place. Do not expose the module to sunlight or fluorescent light.
Keep the temperature between 5°C and 35 °C at normal humidity.
- (2) The polarizer surface should not come in contact with any other object.
It is recommended that they be stored in the container in which they were shipped.

16.5 HANDLING PRECAUTIONS FOR PROTECTION FILM

- (1) When the protection film is peeled off, static electricity is generated between the film and polarizer.
This should be peeled off slowly and carefully by people who are electrically grounded and with well ion- blown equipment or in such a condition, etc..
- (2) The protection film is attached to the polarizer with a small amount of glue. If some stress is applied to rub the protection film against the polarizer during the time you peel off the film, the glue is apt to remain on the polarizer.
Please carefully peel off the protection film without rubbing it against the polarizer.
- (3) When the module with protection film attached is stored for a long time, sometimes there remains a very small amount of glue still on the polarizer after the protection film is peeled off.

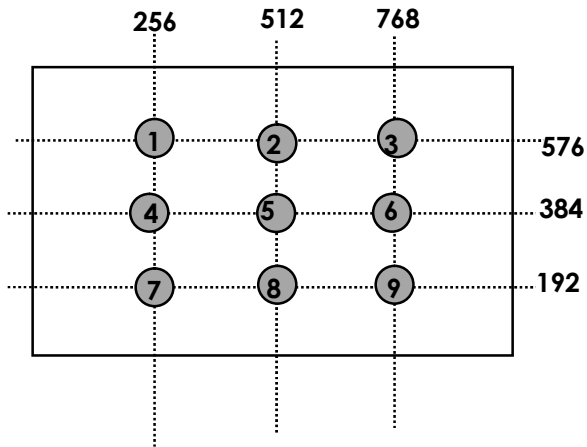
(4) You can remove the glue easily. When the glue remains on the polarizer surface or its vestige is recognized, please wipe them off with absorbent cotton waste or other soft material like chamois soaked with normal- hexane.

A. Optical Characteristic Measurement Equipment and Method

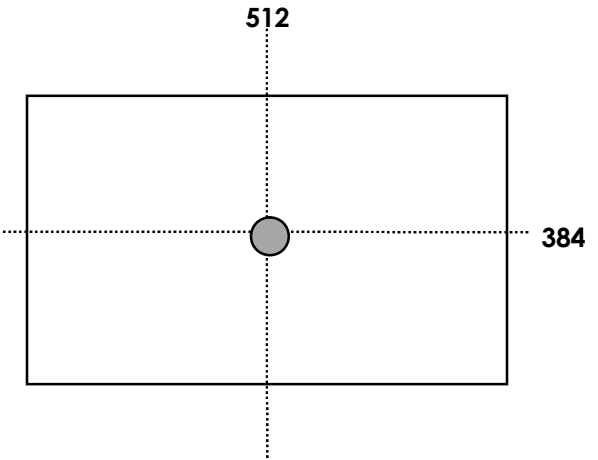


B. Luminance

<measuring point for luminance variation>

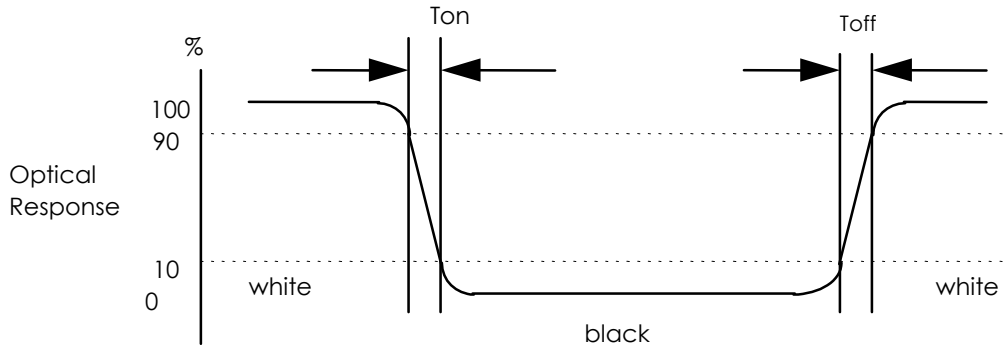


<measuring point for surface luminance >



C. Response Time

The response time is defined as the following figure and shall be measured by switching the input signal for "black" and "white".



D. Viewing angle

<Definition of viewing angle range>

